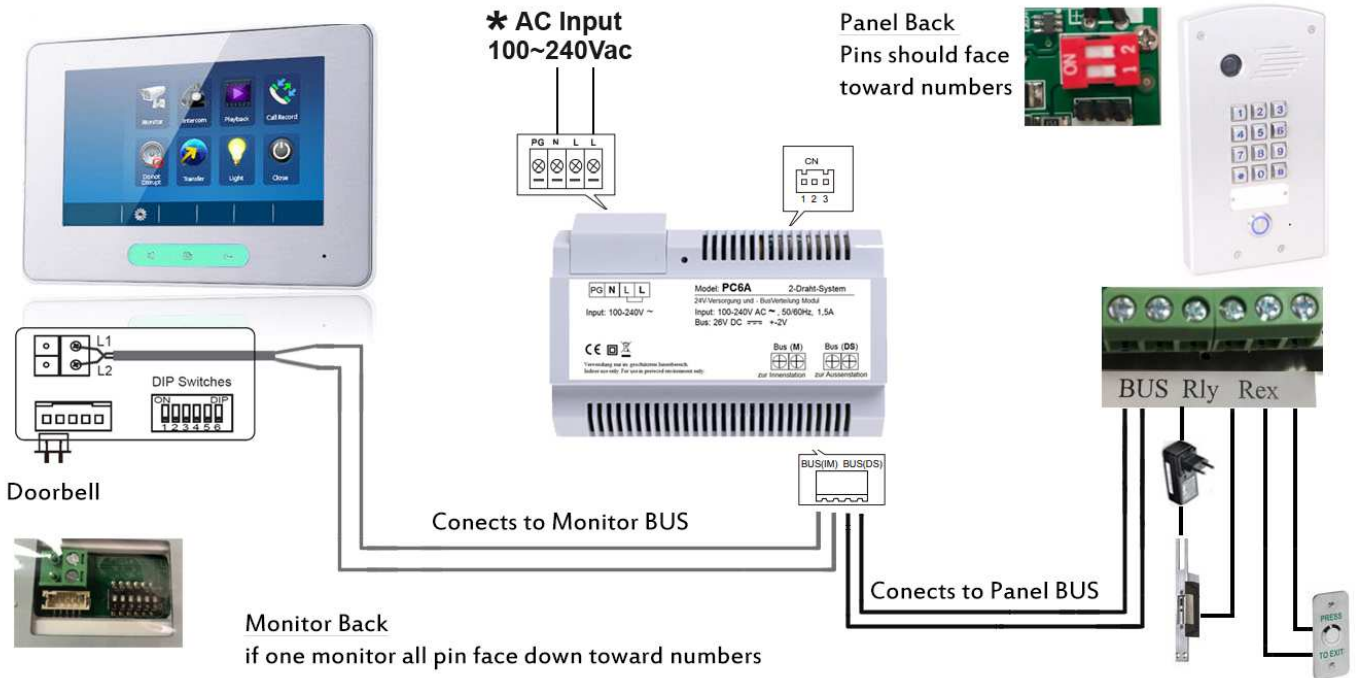


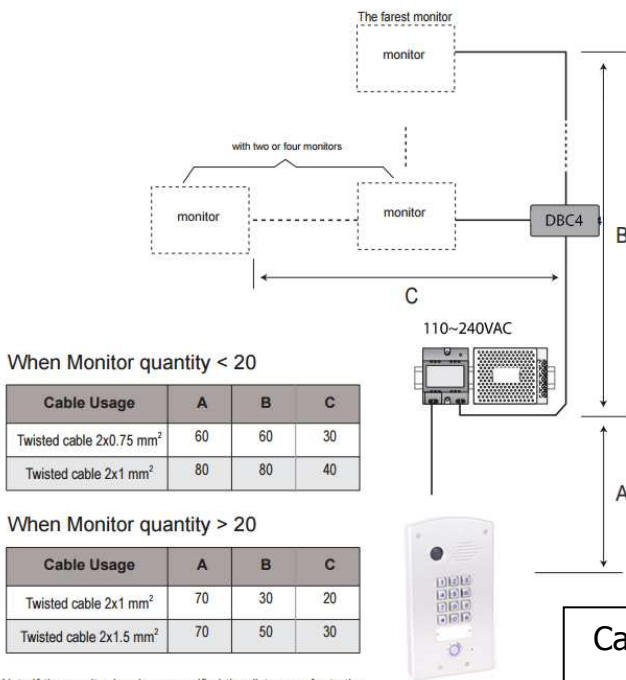


## Installation Diagram : 2 wires set ( 1 Panel + 1 Monitor )



- PG:** Earth ground port.
- N:** AC input.
- L:** AC input.
- LED:** power indicator always on when plug in power.
- CN:** bus control terminal.
- BUS (IM):** indoor monitor connection terminal.
- BUS (DS):** door station connection terminal

Online Installation guide



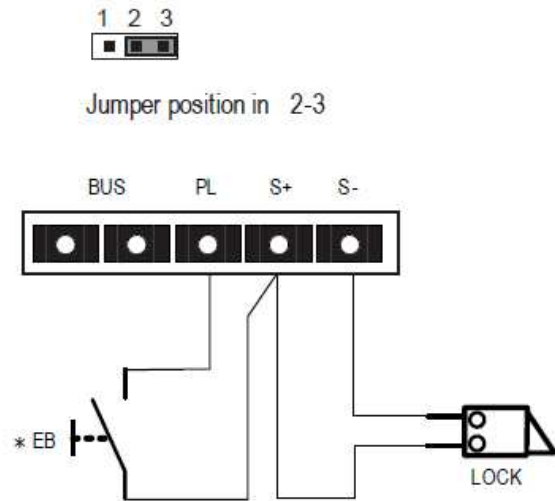
Note: If the monitor has been specified the distance, refer to the parameter.

# Electric Lock Connection

## Door Lock Controlled with Internal Power

Note:

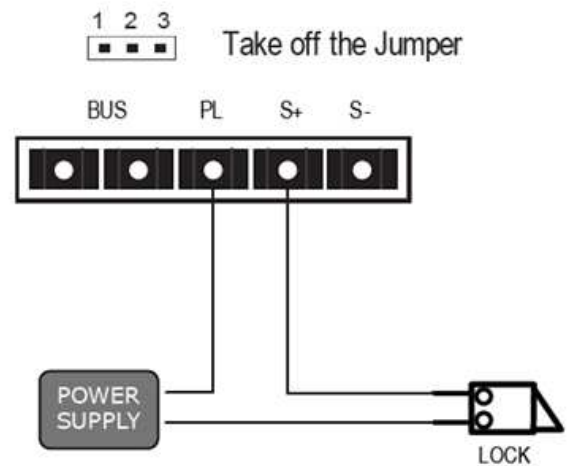
1. Electronic lock of Power-on-to-unlock type should be used.
2. The door lock is limited to 12V, and holding current must be less than 250mA.
3. The door lock control is not timed from Exit Button(EB).
4. The **Unlock Mode** Parameter of Monitor must be set to 0 (by default).



## Door Lock Controlled with Dry Contact

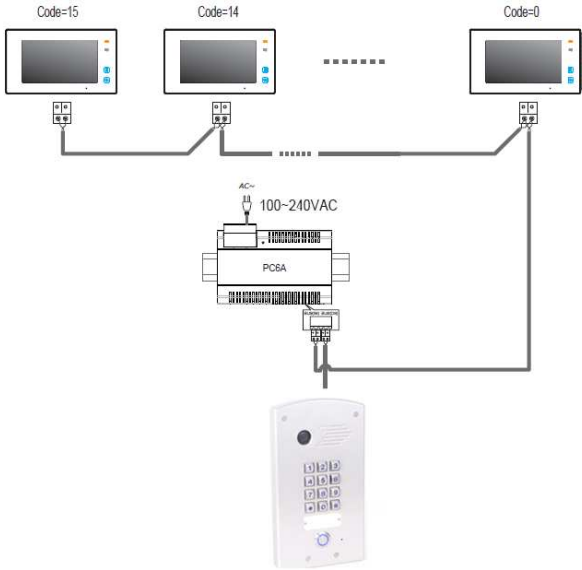
Note:

1. The external power supply must be used according to the lock.
2. The inside relay contact is restricted to AC or DC 24V/1A.
3. The jumper must be taken off before connecting.
4. Setup the **Unlock Mode** of Monitor for different lock types.
  - Power-on-to-unlock type:Unlock Mode=0 (by default)
  - Power-off-to-unlock type:Unlock Mode=1

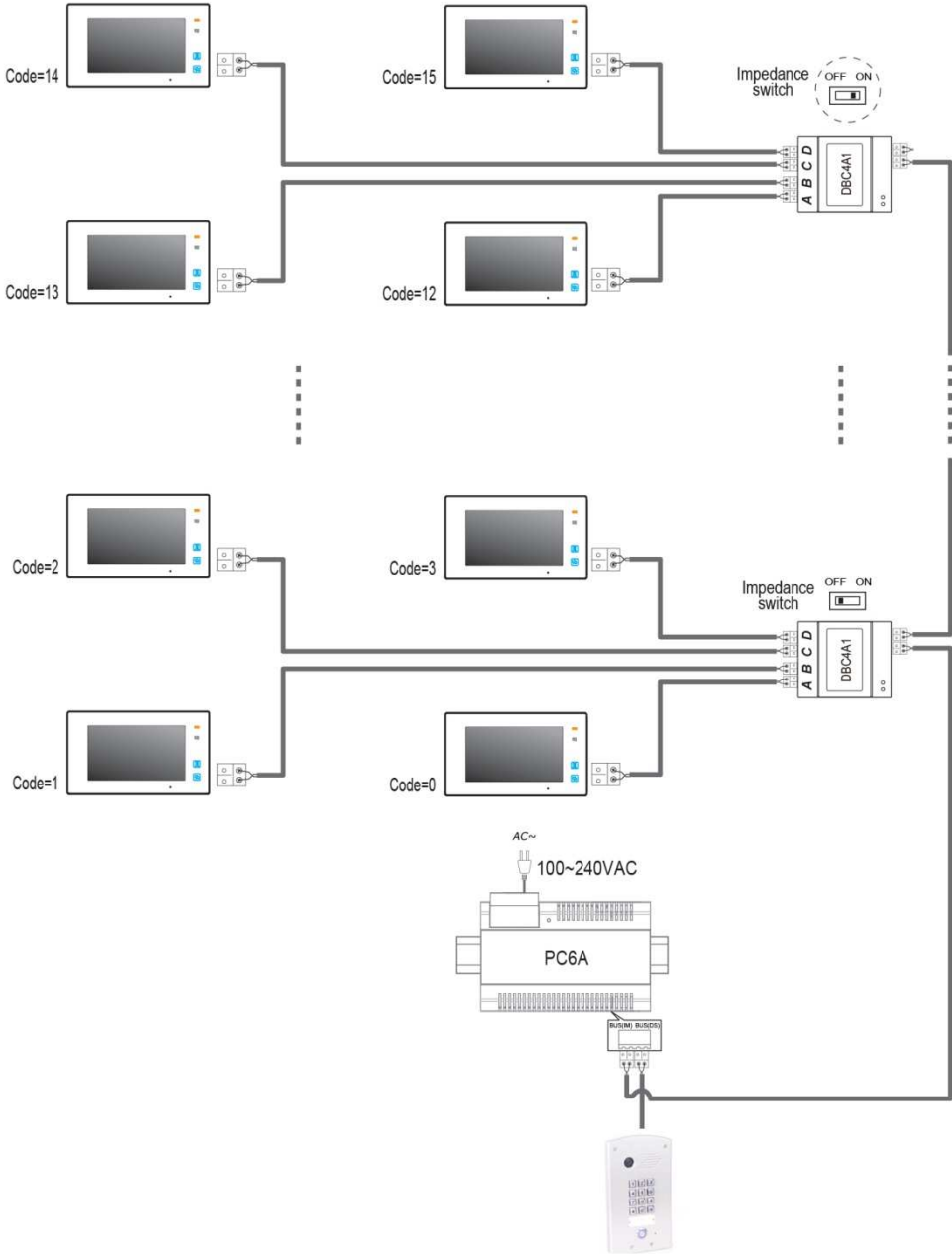


# Multi Monitors Connection

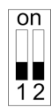

## Basic IN-OUT Wiring Mode



## With DBC4A1 Wiring Mode



## Setting panel variation:

Picture	Dip Switch setting	Panel type
	1 – face down 2 – face down	Panel with one button
	1 – face down 2 – face down	Panel with two buttons
	1 – face down 2 – face up	Panel with four buttons

### Panels Type:

#### 1) **SAPIR-1P :**

The calling button will address monitors number : 0-15

#### 2) **SAPIR-2P :**

First calling button will address monitors number : 0-15

Second calling button will address monitors number : 16-32

#### 3) **SAPIR-4P :**

First calling button will address monitors number : 1

Second calling button will address monitors number : 2

Third calling button will address monitors number : 3

Fourth calling button will address monitors number : 4

**If connecting more than one monitor in the same apartment you will need to set one of the monitor as Primary and all other as secondary**

### A. Type of Lock that needed

Programming code		Lock Type
⇒123456* 86 00 * #	normally open	Electronic Lock
⇒123456* 86 10 * #	normally close	Magnetic Lock

## 1. Installer Programming

### A. Entering Programming Mode:

❖ Type below to entry programming mode

(Manufacturer Code)

• Keypad will be blinking indicate that entering mode is on

❖ Press  in order to quit programming mode

## B. Programming Chart

Below codes will be needed to type during programming mode **123456\***.

Code to type			Action
Program mode	Cell number	New value	
123456*	975*#		Reset Panel to default mode
123456*	99		Changing programming mode ( 6 characters )
123456*	01	9999 (will insert opening code 9999)	Insert opening codes Cell to store codes 1-50 Type : * # after
123456*	01	*#	will delete code that stored at cell number 01
123456*	00	2	Setting opening time for relay (1 – 3 seconds)
		3	
		set 2 seconds for relay 1	set 3 seconds for relay 2
123456*	51 ( program button 1)	01*# ( program what monitor address panel will call )	Program calling button 1 to call monitor address 1
123456*	52 ( program button 2)	02*#	Program calling button 2 to call monitor address 2
123456*	53 ( program button 3)	03*#	Program calling button 3 to call monitor address 3
123456*	54 ( program button 4)	04*#	Program calling button 4 to call monitor address 4
123456*	913*#	Set only if two panels in same installation adding private panel to apartment in order to call specific monitor	
123456*		8010*	Setting lock to Normally Open
123456*		8011*	Setting lock to Normally Close

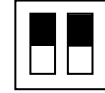
### C. How to set manufacture settings

After type : 123456\* panel will blink status is programming mode after type : 975\* ( reset code )



### D. If programming code is changed by the technician you will need to do below steps in order to reset the unit

- 1) Switch up dip Switch on the **back of the panel**
- 2) Position up 2 dip switch to "ON" position
- 3) Disconnect panel from Power Supply
- 4) Press calling button number 1 while connecting the unit to power supply.
- 5) Keep button number 1 pressed **until a busy sound will be made**
- 6) Return Dip switch to regular position.



## **FAQ:**

### **1. Is it possible to connect system to large distance 400 ft?**

Possible, but need to make sure below details during installation:

1. Good cable preferred twisted cable 2 x 1 mm
2. PC6A should be nearest as possible to the monitor inside the house.
3. Just to make sure, monitor need to get 24V, so if you can connected and check the power that arrives to the monitor is 24V it should be working  
this is why good cable is very important.

1. Bus from Monitor goes to PC6A
2. Bus from PC6A goes to the panel Bus
3. Relay : connects to electric lock in your situation you can connect it directly to gate command to open the gate
4. Rex : if want to install bypass button to open the door by pressing a button

### **2. I enter the code but unit doesn't keep the password?**

You maybe forgot to type \* and # after programming please.

If you haven't change the programming code type below sequence and try again.

123456\*019999\*# (new code: 9999)

### **3. Unit doesn't show Picture / Audio?**

It may be a problem with infrastructure check below:

Disconnect the unit and connect again in a short distance between the monitor, panel and PC6A  
if unit show picture, there might be a problem with wires quality or distance.

+ Try to improve the cable quality

+ Try Reduce distance between PC6A and Monitor.



Thank you for buying one of our products

[www.Tador.com](http://www.Tador.com)

---

All rights reserved Tador Technologies LTD